

- Designed to comply with the requirements of GR1089, UL1950 and EN60950 to provide a supplementary insulation barrier with a working voltage of 250V
- Minimum interwinding breakdown voltage of 1500 Vrms
- UL File Number E150991
- Operating and storage temperature range: -40° to +85°C
- Meets IEC 695, 2-2 flammability requirements
- PWB Process Capability: standard printed wiring board assembly techniques, total-immersion cleaning
- Reliability testing: shock, vibration, temperature cycling, temperature - humidity - bias

ELECTRICAL SPECIFICATIONS at 25°C

Part Number	Turns Ratio ±2%	Inductance ¹ mH ±6%	Leakage Inductance µH max	DCR Ω max		Longitudinal Balance ² dB max	Insertion Loss ² dB max	Frequency Response ² dB max	3rd Harmonic Distortion ² dB max
	Chip : Line	Line Side	Line Side	Chip Side	Line Side	20 kHz - 300 kHz	100 kHz	40 kHz - 300 kHz, 100 kHz ref	5 kHz Fundamental
S560-6600-N7	1 : 5.4	3	15	0.35	2.96	-55	0.5	±0.3	-75

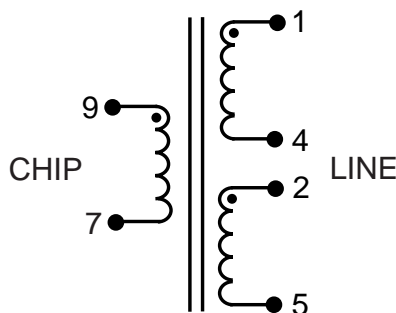
All measurements are made with pins 2 and 4 connected

1. Inductance measured at 10 kHz, 0.1 Vac

2. Measurements made with 135Ω source and 4.6Ω load impedance

SCHEMATIC

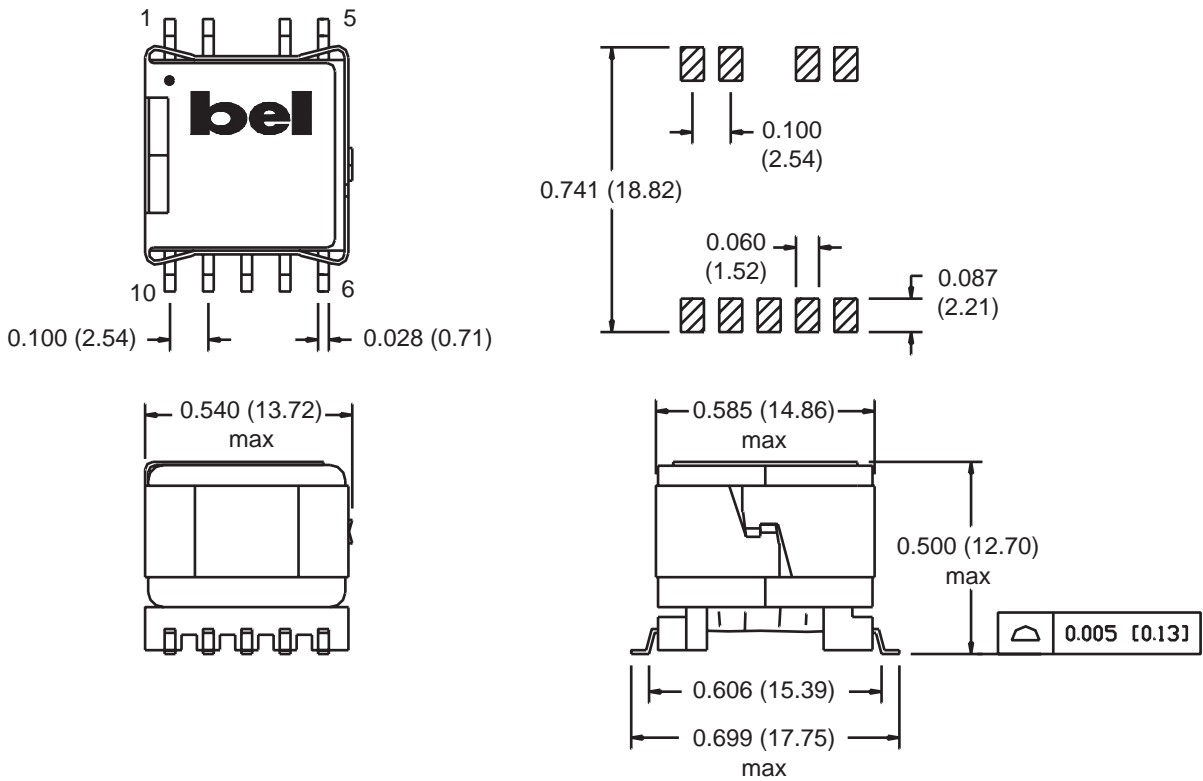
S560-6600-N7



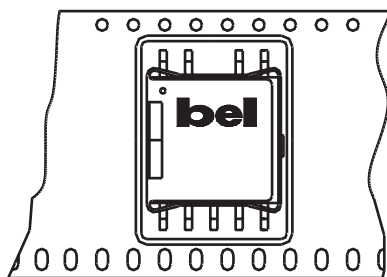
TM01334

MECHANICAL

S560-6600-N7



Dimensions are in inches (millimeters).
Standard dimension tolerance is ± 0.005 (0.13) unless otherwise noted.



➔ User Feed Direction

Orientation of Component Inside Pocket

Tape Width	32mm
Pocket Pitch	24mm
Qty of Components per Reel	200
Plastic Reel Outer Diameter	13"
Plastic Reel Hub Diameter	4"

©2001 Bel Fuse Inc. Specifications subject to change without notice. 08.01

CORPORATE

Bel Fuse Inc.
206 Van Vorst Street
Jersey City, NJ 07302
Tel 201-432-0463
Fax 201-432-9542
www.belfuse.com

FAR EAST

Bel Fuse Ltd.
8F / 8 Luk Hop Street
San Po Kong
Kowloon, Hong Kong
Tel 852-2328-5515
Fax 852-2352-3706
www.belfuse.com

EUROPE

Bel Fuse Europe Ltd.
Preston Technology Management Centre
Marsh Lane, Suite G7, Preston
Lancashire, PR1 8UD, U.K.
Tel 44-1772-556601
Fax 44-1772-888366
www.belfuse.com